

TECHNICAL SHEET

D3-19.1Y

Standard Reciprocating SERIES

LEGAL DISCLAIMER:

While Frascold has made every effort at the time of publication to ensure the accuracy of the information provided herein, product specifications and performances could be subject to change without notice.



Technical data - D3-19.1Y



| | | |
|-----------------------------------|--------------------|--------------------|
| Number of pistons | | 2 |
| Nominal motor power | HP | 3 |
| Nominal motor power | kW | 2,2 |
| Displacement @ (1450 rpm - 50 Hz) | m ³ /h | 19,1 |
| Displacement @ (1740 rpm - 60 Hz) | m ³ /h | 22,9 |
| Power supply | V/ph/Hz/Connection | 400/3/50/DOL-STAR |
| MRA | A | 9,8 |
| LRA | A | 43,7 |
| LRA DOL | A | null |
| Power supply | V/ph/Hz/Connection | 230/3/50/DOL-DELTA |
| MRA | A | 17 |
| LRA | A | 75,9 |
| LRA DOL | A | null |
| Maximum frequency | Hz | 87 |
| Minimum frequency | Hz | 30 |
| Net weight | kg | 49 |
| Lubricant | | FRASCOLD POE32 |
| Oil charge | l | 1,2 |
| Maximum operating pressure HP | bar | 30 |
| Maximum static pressure LP | bar | 20,5 |
| Capacity step | % | 100-50 |

Standard accessories - D3-19.1Y



Suction and discharge valves with soldering connection

Packing ensuring proper handling and protection

IP56 terminal box

Oil level sight glass(es)

Electronic protection module INT69

T00ECA01A

Rubber vibration dampers (4 pcs)

Nitrogen protective charge

Optional accessories - D3-19.1Y

Special voltage for electrical motor

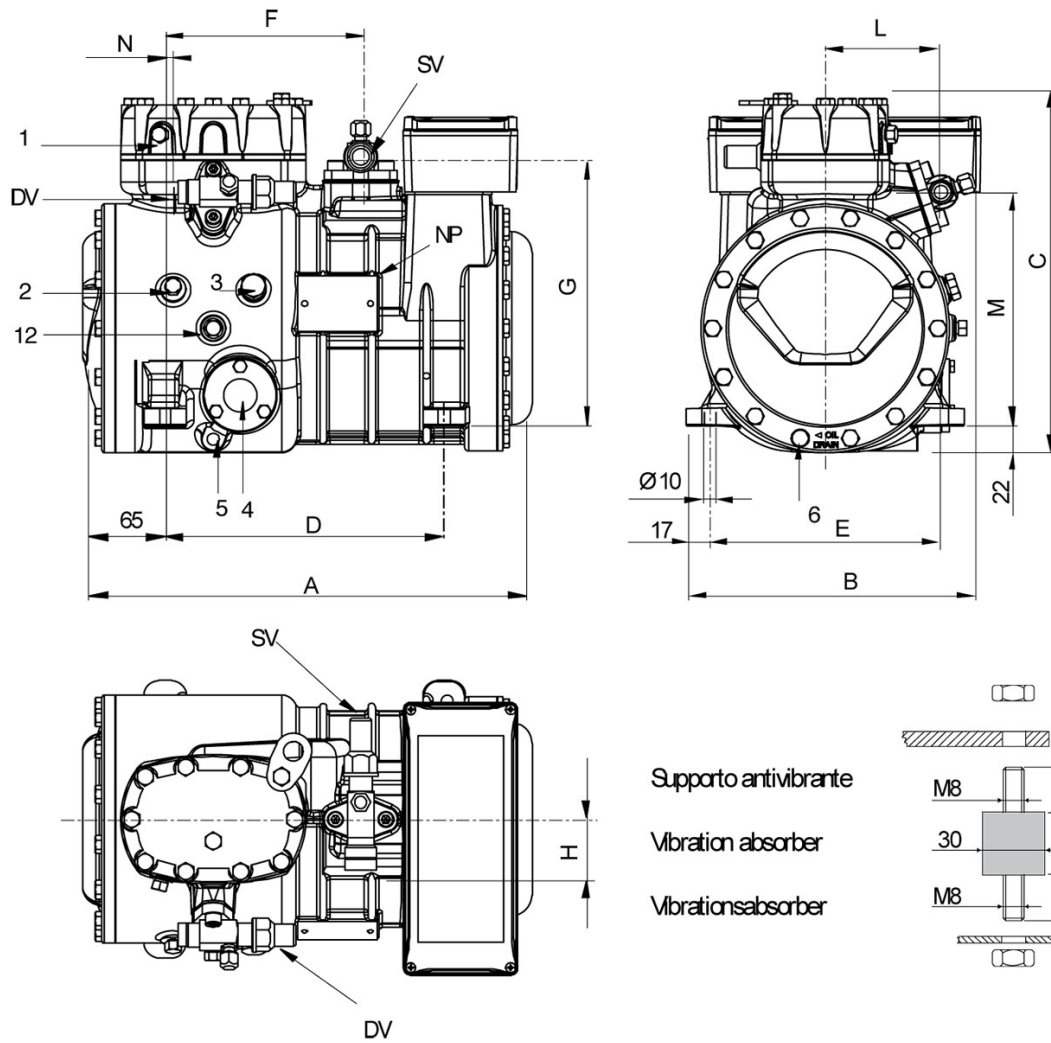
Crankcase heater

RSH capacity control head

Head Cooling Fan

Oil Equalizing Fitting with valve

Special painting



Position and connections:



| | | |
|-----------------------------|------|----------|
| SV: Suction Valve | mm | 28,6 |
| SV: Suction Valve | inch | 1 1/8" |
| DV: Discharge valve | mm | 16 |
| DV: Discharge valve | inch | 5/8" |
| A: Length | mm | 374 |
| B: Width | mm | 242 |
| C: Height | mm | 317 |
| D: Base mounting | mm | 234 |
| E: Base mounting | mm | 194 |
| F: Suction Valve | mm | 165 |
| G: Suction Valve | mm | 225 |
| H: Suction Valve | mm | 53 |
| L: Discharge valve | mm | 94 |
| M: Discharge valve | mm | 192 |
| N: Discharge valve | mm | 13 |
| 1: High pressure connection | | 1/8" NPT |
| 2: Low pressure connection | | 1/8" NPT |
| 3: Oil charge plug | | 1/4" GAS |
| 4: Oil level sight glass | | - |
| 5: Crankcase heater seat | | - |
| 6: Oil drain plug | | M8 x 22 |
| 12: Oil return plug | | 1/8" NPT |
| NP: Nameplate | | - |