

TECHNICAL SHEET

S5-26.16Y

Two-Stage Series - UL

LEGAL DISCLAIMER:

While Frascold has made every effort at the time of publication to ensure the accuracy of the information provided herein, product specifications and performances could be subject to change without notice.



Technical data - S5-26.16Y



Number of pistons		2-2
Nominal motor power	HP	5
Nominal motor power	kW	3,7
Displacement LP @ (1450 rpm - 50 Hz)	m ³ /h	25,2
Displacement HP @ (1450 rpm - 50 Hz)	m ³ /h	16,4
Displacement LP @ (1740 rpm - 60 Hz)	m ³ /h	30,2
Displacement HP @ (1740 rpm - 60 Hz)	m ³ /h	19,7
Power supply	V/ph/Hz/Connection	400/3/50/PWS
MRA	A	14
LRA	A	35,5
LRA DOL	A	57,8
Net weight	kg	120
Lubricant		FRASCOLD POE32
Oil charge	l	2,9
Maximum operating pressure HP	bar	30
Maximum static pressure LP	bar	20,5
Capacity step	%	100

Standard accessories - S5-26.16Y

Suction and discharge valves with soldering connection

IP56 terminal box

Oil level sight glass(es)

Electronic protection and diagnostic module INT69 Diagnose

T00EC01D-RIC

Rubber vibration dampers (4 pcs)

Nitrogen protective charge

Packing ensuring proper handling and protection

PTC discharge temperature sensor

T00EC50-RIC

Injection control module and solenoid valve

Optional accessories - S5-26.16Y

Special voltage for electrical motor

Crankcase heater

Liquid subcooler

USB adapter for Diagnose

T00EC57

Bluetooth Module for Diagnose

T00EC69

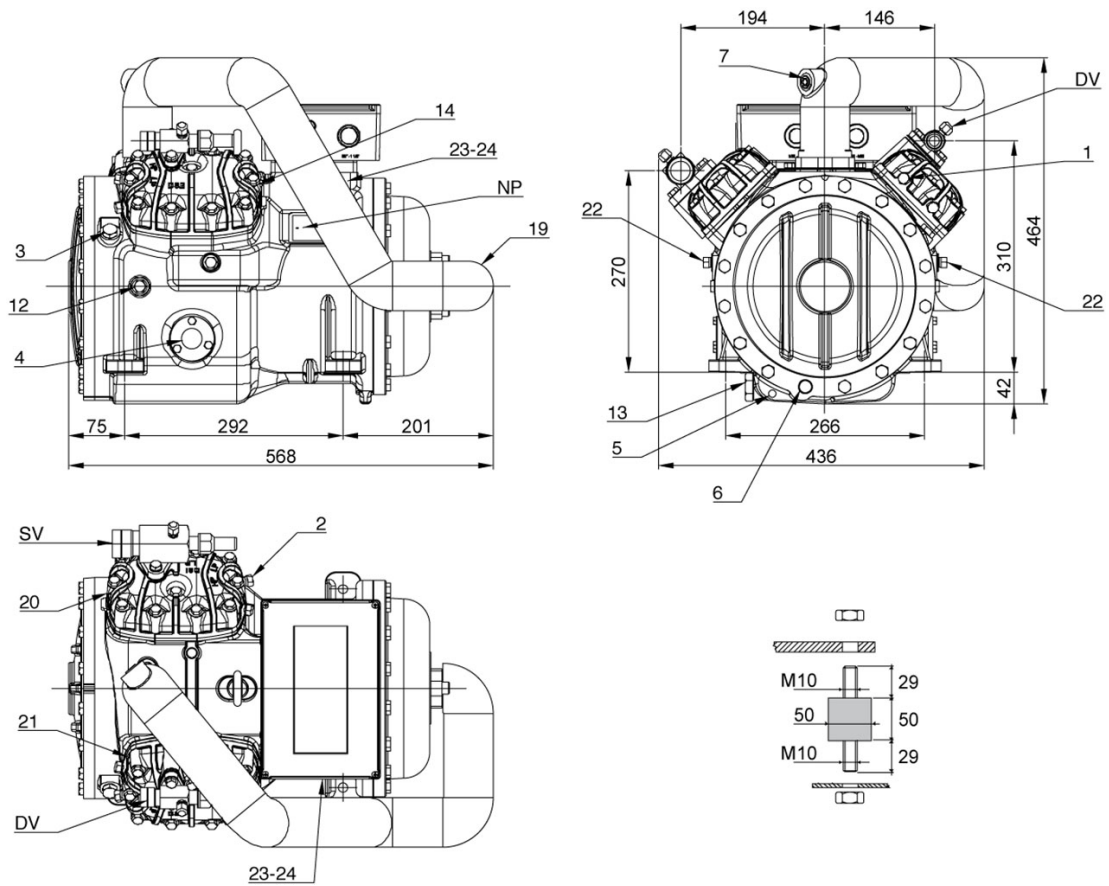
Modbus connection cable

T00EC65

DP-Modbus gateway

T00EC59

Special painting



Position and connections:

SV: Suction Valve	mm	35
SV: Suction Valve	inch	1 3/8"
DV: Discharge valve	mm	22,2
DV: Discharge valve	inch	7/8"
1: High pressure connection		1/8" NPT
2: Low pressure connection		1/4" NPT
3: Oil charge plug		1/4" GAS
4: Oil level sight glass		-
5: Crankcase heater seat		-
6: Oil drain plug		-
7: Liquid injection plug		3/8" SAE
9: Oil pressure switch connection (LP)		-
10: Oil pressure switch connection (HP)		-
11: Oil filter		-
12: Oil return plug		1/4" NPT
13: Magnetic plug		-
14: Max discharge temperature sensor connection		-
15: Electronic oil pressure switch connection		-
18: ECO/liquid injection connection		-
19: 1°-2° stage collector		-
20: 1° stage head		-
21: 2° stage head		-
22: Thermostatic valve equalization line plug		1/4" NPT
23: Mean pressure connection		1/4" NPT
24: External equalizer liquid injection connection		1/4" NPT
NP: Nameplate		-